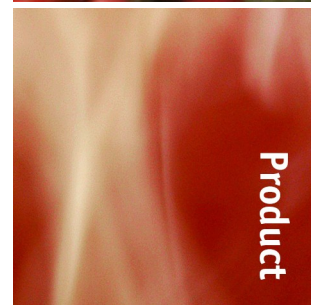
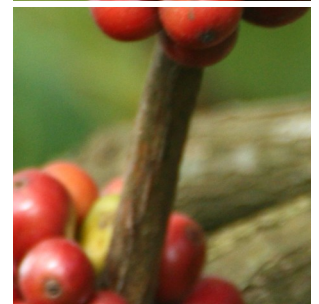
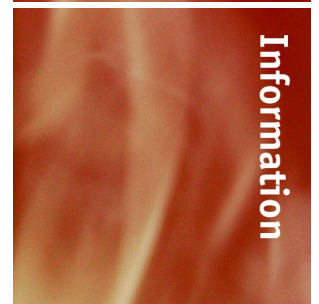


Siro Touch 1234 [a] Bean2filter®



Product



Information



Key features

- filterfresh® brewer
- 5.7" full color touch screen
- Aluminium front
- Illuminated cup stands
- Separate hot water outlet
- Individual product counters
- Jug facility

Options

- Front branding
- On-screen communication options
- Connect.Me® (online monitoring)
- Base cabinet with condiment tray's
- Table with cup dispenser
- Chiller in base cabinet

Siro Touch 1234 [a] Bean2filter®



Dimensions

	mm	
Machine	h*	876
*Bean canister will stick out 80 mm. Total height 795 + 80 = 876 mm.	w	365
	d	530
	Base Cabinet	h
	w	365
	d	530
Weight		46 kg

Specifications

- MoVeC-ICEq® & USB upload
- 5,7" full color touch screen
- User Interface : DJD/TUD
- Menu structure for selections
- Direct start optional
- Cup-sensor
- Illuminated cupstands
- Strength selections menu's
- Connection for payment systems [MDB]
- Boiler : 5L

Connections

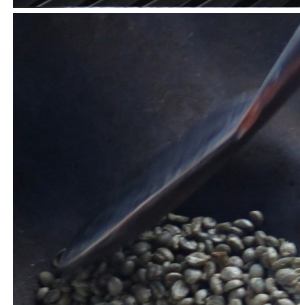
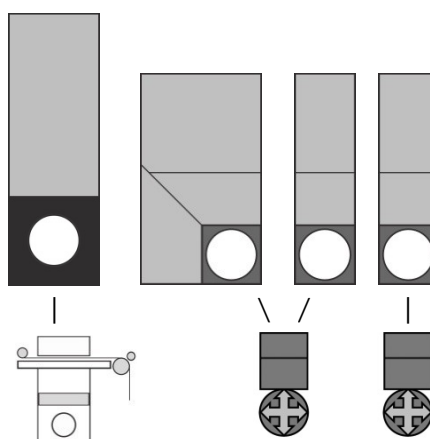
- 220-240 Volt AC
- 50/60 Hz
- 2400 Watt
- 10-16 Amp
- ¾" BSP [15 mm] mains
- waterfilter & waterlock recommended
- USB
- LAN or Wifi

Selections

Whole bean coffee	Hot Chocolate
Short coffee	Chocomilk
Coffeeshoc	
Cafe au Lait	
	Whitener
	Sugar
Customized recipes **	Hot water
Chilled (sparkling) water **	Jug Selections

** optional, ask for details & conditions

Canisters



Capacities

	#	Size	Gram	Cups
Whole Bean Coffee	1	BC	1100	150
Chocolate	2	120	2450	120
Milk topping	3	60	800	130
Sugar	4	60	1500	250
Filter paper [cups/roll]				≥ 2250
Waste bucket				≥ 125

(# cups may vary depending on settings)