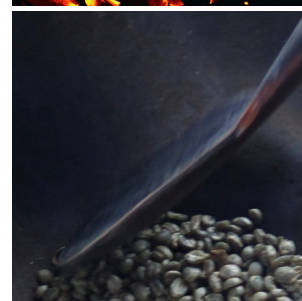
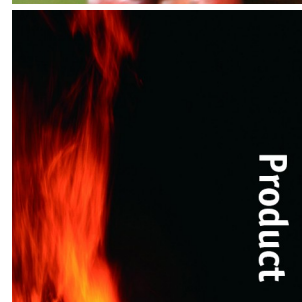
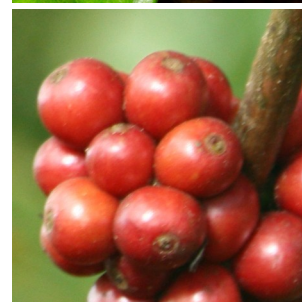
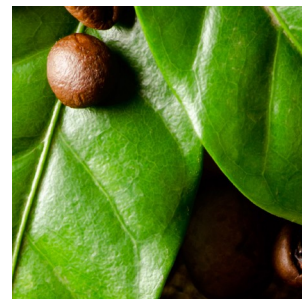


Siro Touch 234 [b] filterfresh®



Key features

- filterfresh® brewer & ground coffee
- 5.7" full color touch screen
- Easy to use interface
- Aluminium front
- Illuminated cup stands
- Separate hot water outlet
- Jug facility

Options

- Front branding
- On-screen communication options
- Connect.Me® (online monitoring)
- Base cabinet with condiment tray's
- Table with cup dispenser
- Chiller in base cabinet
- Waste guide

Siro Touch 234 [b] filterfresh®



Dimensions

	mm
Machine	h 796
	w 370
	d 530
Base Cabinet	h 850
	w 370
	d 530
Weight	45 kg

Selections

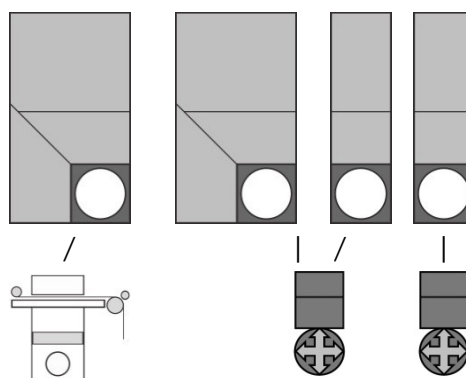
Freshbrew Coffee	Hot Chocolate
Short Coffee	Espresschoc
Cafe au Lait	Chocomilk
Caffe Latte	
Wiener Melange	Whitener
	Sugar
Customized recipes **	Hot water
Chilled (sparkling) water **	Jug Selections

** optional, ask for details & conditions

Specifications

- MoVeC-ICEq® & USB upload
- 5,7" full color touch screen
- User Interface : DJD/TUD
- Multiple languages possible
- Menu structure for selections
- Direct start optional
- Illuminated cupstand
- Cup-sensor
- Strength selections menu's
- Connection for payment systems [MDB]
- Boiler : 1x 5L

Canisters



Connections

- 240 Volt AC
- 50/60 Hz
- 2400 Watt
- 10-16Amp
- ¾" BSP [15 mm] mains
- waterfilter & waterlock recommended
- USB
- LAN or Wifi

Capacities

	#	Size	Gram	Cups
Ground Coffee	1	120	1200	160
Chocolate	2	120	2450	120
Milktopping	3	60	800	130
Sugar	4	60	1500	250
Filter paper [cups/roll]				≥ 2250
Waste bucket				≥ 180

(# cups may vary depending on settings)

